

Specifications

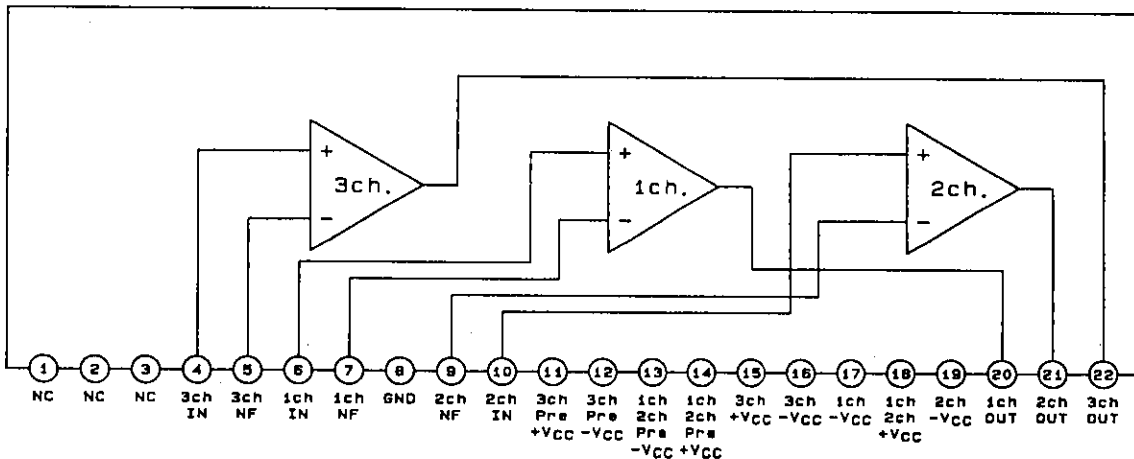
Maximum Ratings at Ta = 25°C

Parameter	Symbol	Conditions	Ratings	Unit
Maximum supply voltage	V _{CC} max		±50	V
Maximum collector current	I _c	Tr8, 10, 18, 20, 28, 30	7.0	A
Thermal resistance	θ _{j-c}	Tr8, 10, 18, 20, 28, 30 (per transistor)	1.8	°C/W
Junction temperature	T _J		150	°C
Operating substrate temperature	T _c		125	°C
Storage temperature	T _{stg}		-30 to +125	°C

Operating Characteristics at Ta = 25°C, R_g = 50Ω

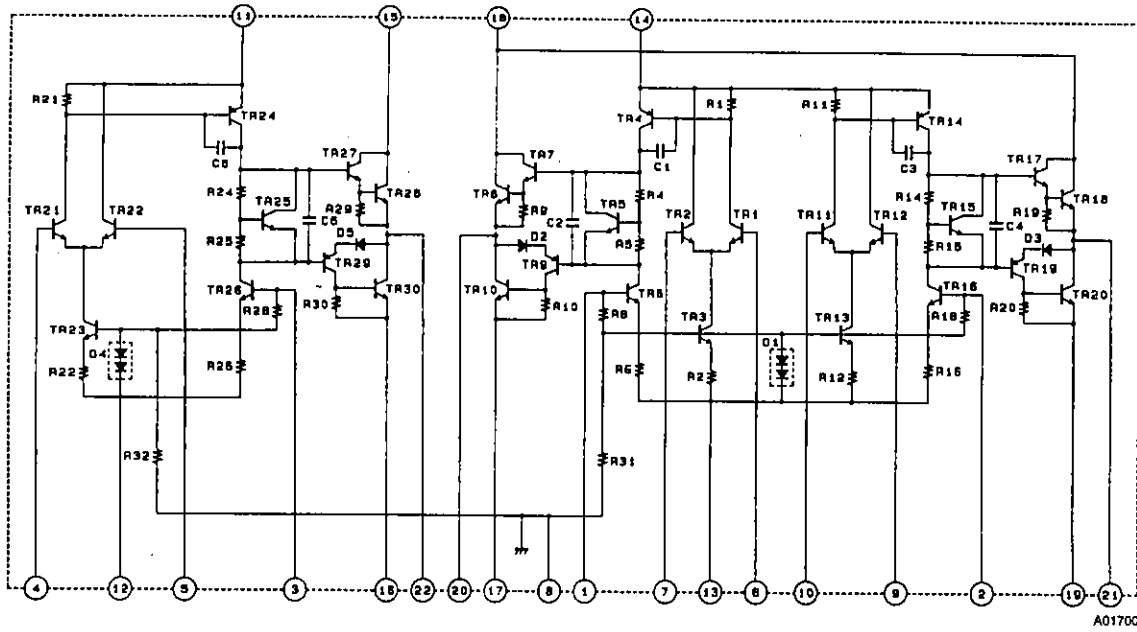
Parameter	Symbol	Conditions	min	typ	max	Unit
Output noise voltage	V _{NO}	V _{CC} = ±40V	-	-	0.2	mVrms
Quiescent current	I _{CCO}	V _{CC} = ±40V	30	90	150	mA
Neutral voltage	V _N	V _{CC} = ±40V	-50	0	+50	mV
Output delay time	t _D	V _{CC} = ±40V, f = 64kHz, triangular wave input, V _{OUT} = 1.5Vp-p	-	-	0.2	μs
Frequency response	f _H	V _{CC} = ±35V, -3dB, (0dB at 1kHz), sine wave input, V _{in} = 50mVp-p	-	3.8	-	MHz

Block Diagram

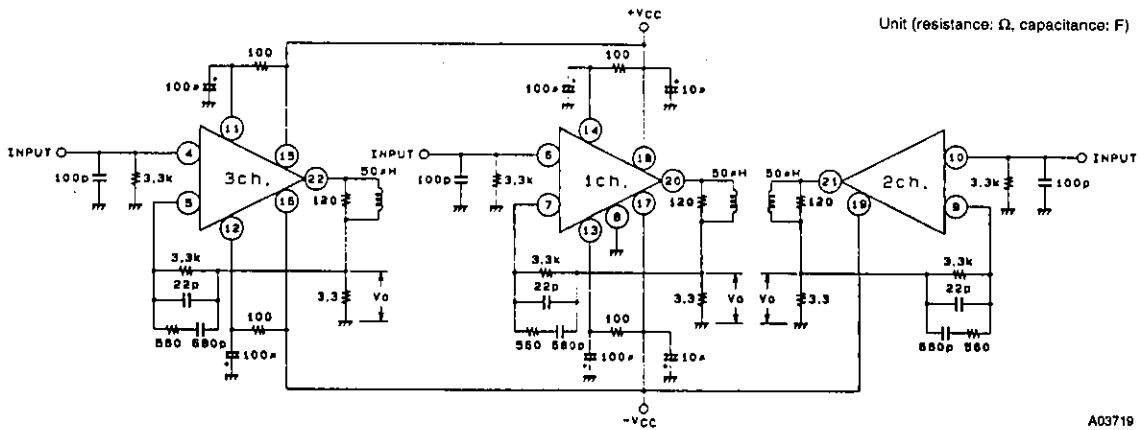


A01699

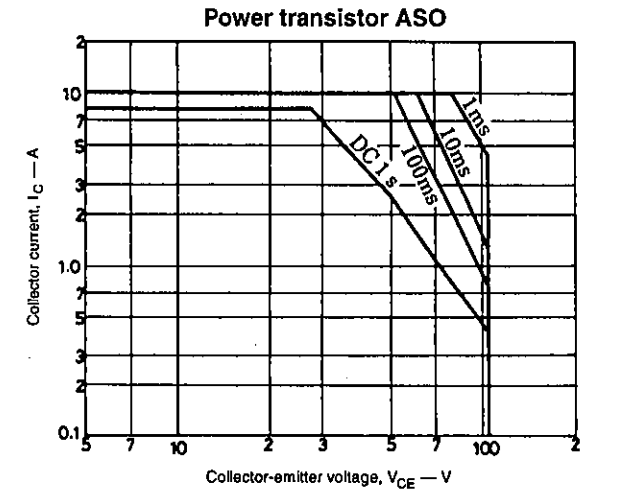
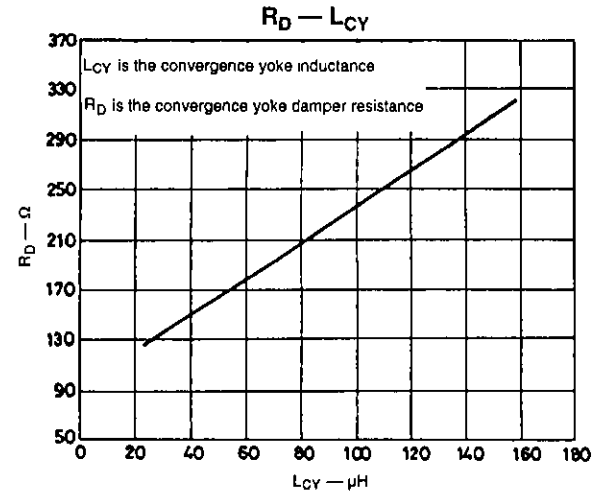
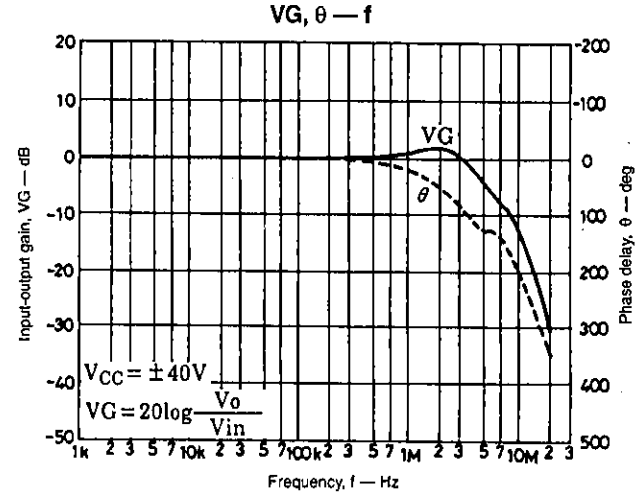
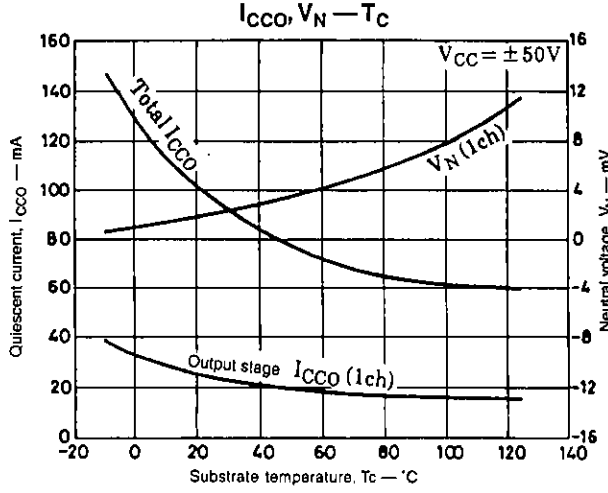
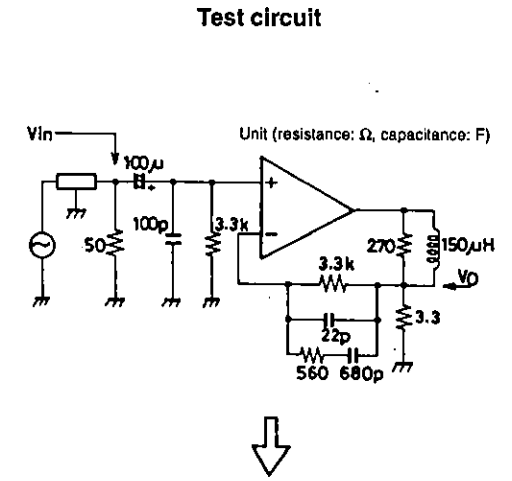
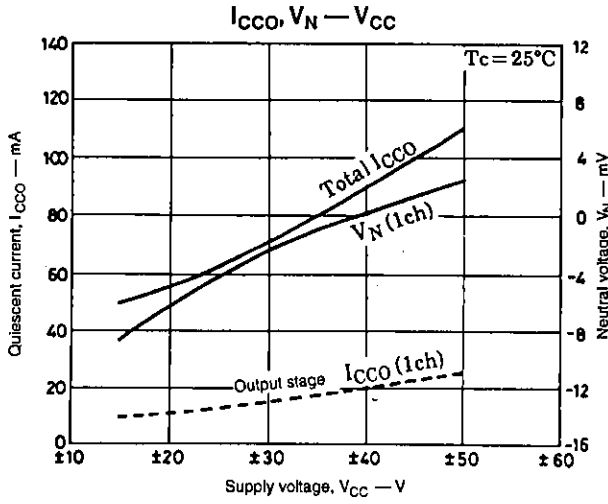
Equivalent Circuit



Test Circuit



V_o : V_{NO} is measured by connecting a VTVM.
 V_N is measured by connecting a DC voltmeter.
 t_D is measured by connecting an oscilloscope.



■ No products described or contained herein are intended for use in surgical implants, life-support systems, aerospace equipment, nuclear power control systems, vehicles, disaster/crime-prevention equipment and the like, the failure of which may directly or indirectly cause injury, death or property loss.

■ Anyone purchasing any products described or contained herein for an above-mentioned use shall:

- ① Accept full responsibility and indemnify and defend SANYO ELECTRIC CO., LTD., its affiliates, subsidiaries and distributors and all their officers and employees, jointly and severally, against any and all claims and litigation and all damages, cost and expenses associated with such use;
- ② Not impose any responsibility for any fault or negligence which may be cited in any such claim or litigation on SANYO ELECTRIC CO., LTD., its affiliates, subsidiaries and distributors or any of their officers and employees, jointly or severally.

■ Information (including circuit diagrams and circuit parameters) herein is for example only; it is not guaranteed for volume production. SANYO believes information herein is accurate and reliable, but no guarantees are made or implied regarding its use or any infringements of intellectual property rights or other rights of third parties.

This catalog provides information as of June, 1995. Specifications and information herein are subject to change without notice.